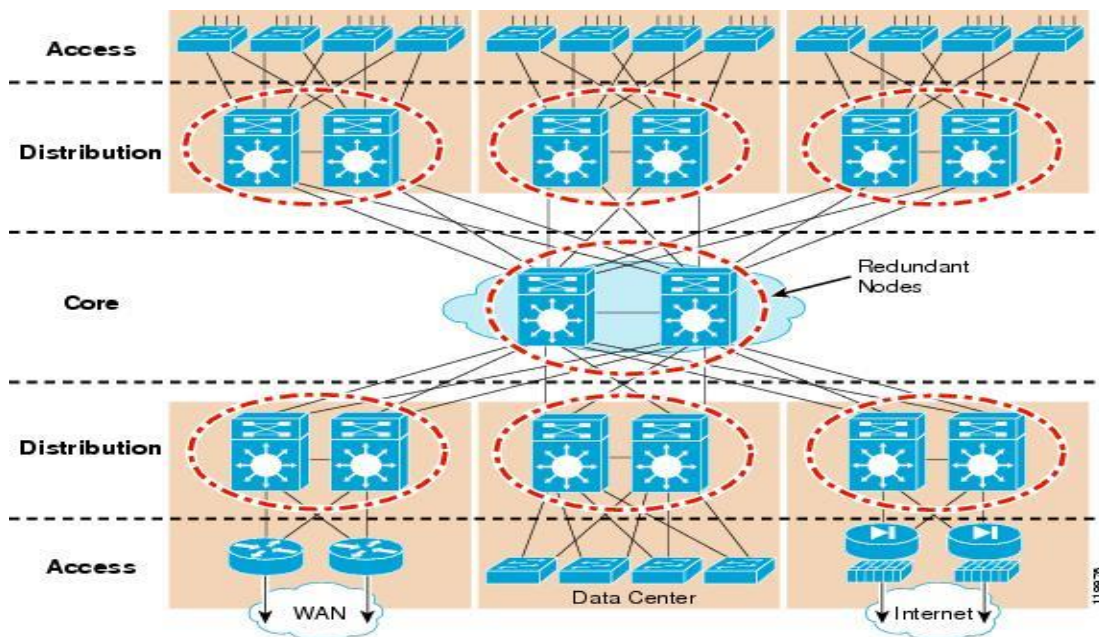


# Enterprise Networks

## Delivering wired and wireless enterprise network architecture to meet changing demands

In the past multiple communication networks were entirely separated, each of them served a specific application. For example the traditional Public Switched Telephone Network (PSTN) served voice application, the Internet and Intranets served data communications, and multiple H.320 networks served videoconferencing. Today as business requirements force these networks to interoperate our enterprise networking consultants are well experienced to help you make this jump and redesign your network by uniting multi-service applications for voice, video and data on a single secured and converged enterprise network infrastructure.



Using our lifecycle services approach, we design, implement, operate and optimize enterprise network infrastructure including LAN and wireless LAN and security solutions that are highly scalable and flexible to your growth-oriented needs.

We know that the challenge is in choosing a network solution that will not only meet your present day business requirements, but will continue to support your business throughout the next several years -- and we provide the expertise to help you determine the network solution investment with the best ROI.